

NUVICO EasyView™ Series Indoor Dome Cameras



CD-S Series / 550 TV Lines



Flush Housing with Surface Mount Plate



Flush Mount



Key Features

- 1/3" CCD Sensor
- 550 TV Lines
- 0.1 Lux(Normal), 0.002 Lux(DSS On)
- Separate Camera Control Board
 - OSD Menu
 - Service Monitor Output
- 12VDC/24VAC Dual Voltage

Lens Options

- 2.6~6mm, DC Auto Iris
- 3.8~9.5mm, DC Auto Iris

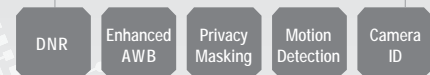
Construction

- 4" Polycarbonate Bubble
- 3-Axis Gimbal
- Flush Mount Housing w/ Surface Mount Plate in a single package
- Ivory or Black Plastic Housing Options
- Compact Size

Super Image Enhancer

Innovative DSP Technology for delivering excellent picture quality in any lighting conditions.

- High Resolution - 550 TV Lines
- Super Low Light Performance
- Super BLC
- Extraordinary Capability for Intelligent Processing



Normal Color Mode in Low Light Condition



Enhanced Color Mode in Low Light Condition

NUVICO

53 Smith Street, Englewood, NJ 07631
Phone 201-541-1605 Toll Free 866-523-1700 Fax 201-541-1620
export@nuvico.com www.nuvico.com

NUVICO reserves the right to alter product offers and specification at any time without notice.
NUVICO EasyView and the NUVICO logos are registered trademarks of NUVICO.
Copyright © 2006 NUVICO. All rights reserved.

NUVICO®

Connecting Video Anywhere™

NUVICO EasyView™ Series Indoor Dome Cameras

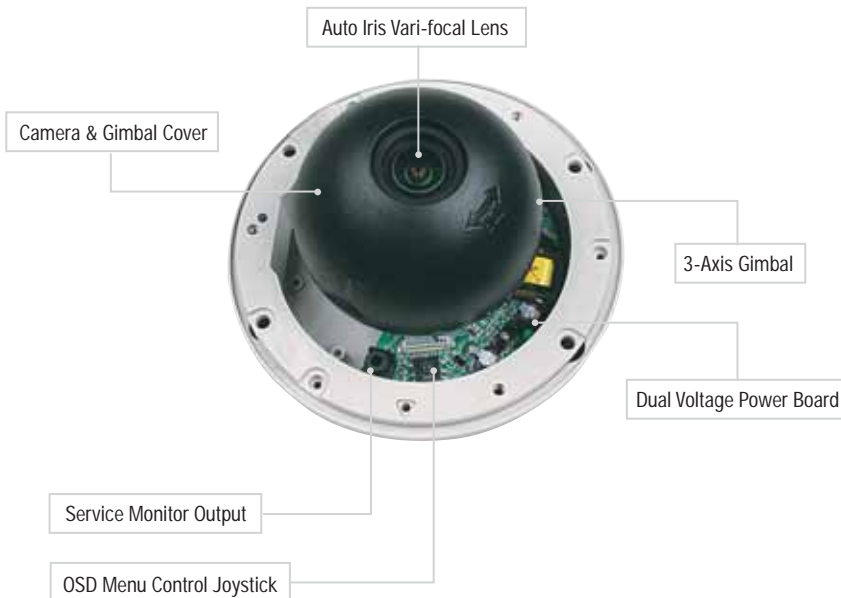


Specifications

Item	CD-S Series
Video Format	NTSC
Image Sensor	1/3" CCD
Sync System	Internal / Line Lock(Optional)
Scanning system	525 Lines, 2:1 Interlaced
Electronic Shutter	1/60 ~ 1/100,000 sec.
Main Video Output	1.0 Vp-p Composite, 75 ohm
Service Monitor Output	1.0 Vp-p Composite, 75 ohm
Horizontal Resolution	550 TV Lines
Min. Illumination	0.1 Lux(Color), 0.002 Lux(DSS On)
S/N Ratio	More than 50dB(AGC Off)
Lens Options (DC Auto Iris)	Vari-focal: 2.6~6mm, 3.8~9.5mm
Camera Control & Setup	OSD Menu
Operating Temperature	-5°C ~ +45°C
Operating Humidity	Within 90% RH
Power Consumption	500mA
Power Requirement	12VDC/24VAC Dual Voltage

* Must use specified and regulated 12VDC/24VAC power supply.

Dome Inside View



Available Models

CD-S266N-I

2.6~6mm Vari-focal Lens, 12VDC/24VAC, Ivory Housing

CD-S266N-B

2.6~6mm Vari-focal Lens, 12VDC/24VAC, Black Housing

CD-S3895N-I

3.8~9.5mm Vari-focal Lens, 12VDC/24VAC, Ivory Housing

CD-S3895N-B

3.8~9.5mm Vari-focal Lens, 12VDC/24VAC, Black Housing

Accessories

CA-SMC30

Service Monitor Cable for EasyView™ Mini Domes

CV-WM

Wall Mount for EasyView™ Mini Domes

CA-PM

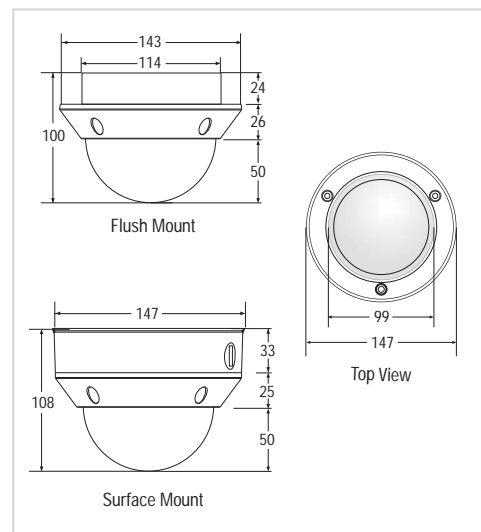
Pedestal Mount for EasyView™ Mini Domes

CA-JB

Junction Box for EasyView™ Cameras



Dimensions (UNIT: mm)



NUVICO

53 Smith Street, Englewood, NJ 07631
Phone 201-541-1605 Toll Free 866-523-1700 Fax 201-541-1620
export@nuvico.com www.nuvico.com

NUVICO reserves the right to alter product offers and specification at any time without notice.
NUVICO EasyView and the NUVICO logos are registered trademarks of NUVICO.
Copyright © 2006 NUVICO. All rights reserved.

NUVICO®

Connecting Video Anywhere™